

(RTS) Radio Technology

The New Generation of a Proven Concept

The SOMFY L T RTS (Radio Technology Somfy™) motor line combines the quality characteristics of the previous tubular motors which have proven themselves a million times over, with innovative design and optimal technical features. The reliability, sturdy construction and maintenance free aspects of SOMFY motors have remained the same. The new Radio (RTS) concept offers you significantly easier motor selection, simple installation, plug-in wire connections and remote limit switch adjustments.

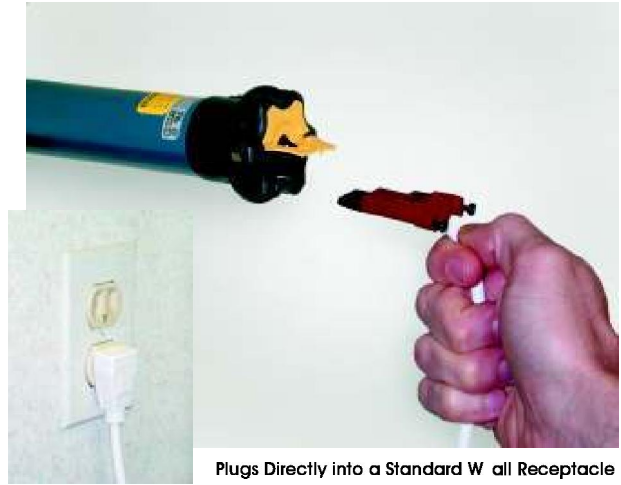
The advanced design and technical innovations contribute to reducing installation time and costs which are important to both you and your customers.



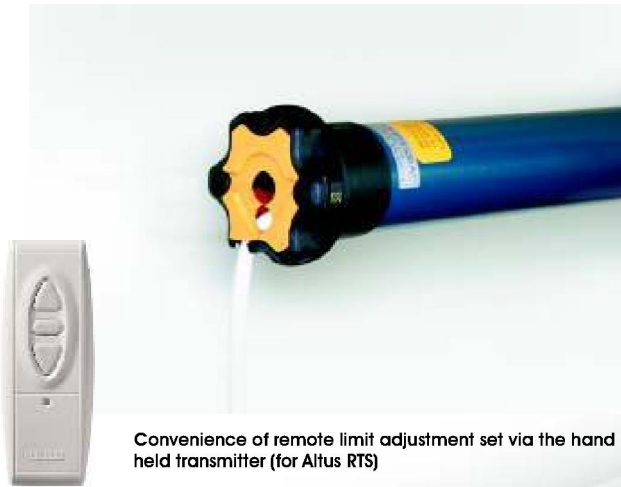
Minimum Labor Required: New Motor Mounting featuring motor bracket with spring and capability of 6 different installation positions



Minimum "Side" Space Requirement: only 23mm



Plugs Directly into a Standard Wall Receptacle



Convenience of remote limit adjustment set via the hand held transmitter (for Altus RTS)



Electronic Limit Switch and RTS Receiver



RTS New Technology

Project:		Date:	
Drawing #			Scale: Not to Scale
RTS-1			

EcoGreen Solar Shades, LLC.
 www.EcoGreenSolarShades.com • P: (877) 610-1555 F:(440) 233-1122

1. The Right Motor Solution for Every Job, Due to a Wide Range of Models

- Expanded product line in terms of lifting capacity and operating speed
- First manual override motor with built-in radio technology "CMO RTS".

2. Quick and Easy Installation

- Reduced number of mechanical accessories
- Can be installed in 6 different positions
- Minimum side space requirement (23mm)
- Motor and drive are attached with a simple click connection (no screws required)

3. Convenience for the End User

- Features quiet operation due to the use of advanced product components

5. Easy Limit Switch Setting

- Limits are set via remote radio transmitter

6. All SOMFY Motors are UL and C SA Recognized

- SOMFY UL Recognized motors can be found in the following file numbers: E60495, E60888, E63714



4. Simple Electrical Connection

- New UL approved 5-15P Nema plug-in motor cable simplifies electrical connections
- Plugs into a standard electrical receptacle and eliminates the need for an electrician
- Motor cable length can be customized to meet your installation requirements



Innovative: Drive is attached with a simple click on connection.



RTS Motor at a Glance

Project:		Date:	
Drawing #			Scale: Not to Scale
RTS-2			
EcoGreen Solar Shades, LLC.			
www.EcoGreenSolarShades.com • P: (877) 610-1555 F:(440) 233-1122			

Radio Technology (RTS) Motors

Altus RTS

With RTS (Radio Technology Somfy™), installation and user operation has been simplified and the overall performance of motorized window coverings, projection screens, awnings and rolling shutters have been enhanced. Designed with all of the great features of SOMFY's popular LT motors, the Altus RTS motor shares one important distinction... A radio remote control receiver is built into the motor providing the user with remote control capabilities without added wiring.

With the Altus RTS motor the end user can have wireless control over any motorized window covering via a radio remote control transmitter or a Decora RTS wireless wall switch within a range of up to 90 feet in open space and up to 65 feet through two concrete walls. The RTS motor can be parallel wired which eliminates the need to connect switches and to access a control device. It also eliminates long wire runs which are often time consuming and expensive.

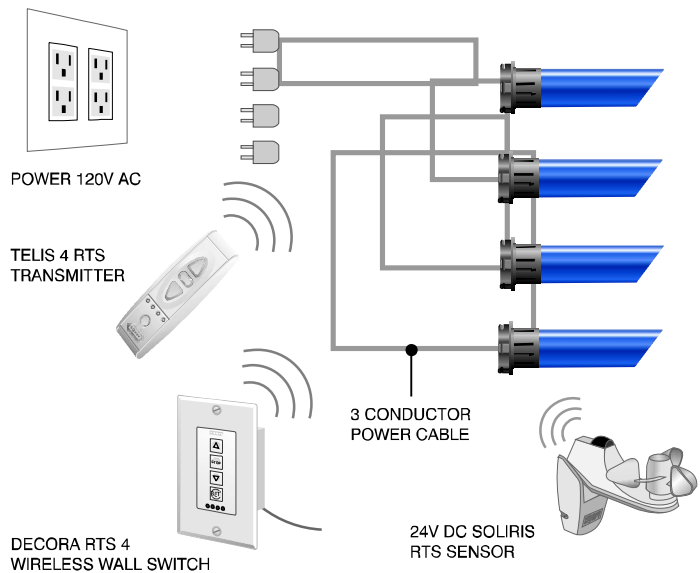


DECORA RTS 4
WIRELESS
WALL SWITCH

The Altus RTS motor features a user programmable intermediate stop position and operates on a narrow bandwidth that is less susceptible to interference (433.42 MHz). The RTS system also features 16 million rolling codes to provide for maximum security.

The Telis RTS transmitters and Decora RTS wireless wall switches enable a user to program individual, group and master control to optimize operational convenience and to customize the system to meet virtually any design requirement.

The Altus RTS motor is compatible with the RTS sun and wind sensors to provide a measure of protection when used with retractable awnings.



RTS Altus

Project:			Date:
Drawing #	RTS-3		Scale: Not to Scale

EcoGreen Solar Shades, LLC.
www.EcoGreenSolarShades.com • P: (877) 610-1555 F:(440) 233-1122

RADIO TECHNOLOGY

TELLIS COLLECTION



Telis 1 RTS Lounge
Single Channel
Remote
1810650



Telis 4 RTS Lounge
Five Channel
Remote
1810652



Telis 1 RTS Silver
Single Channel
Remote
1810639



Telis 4 RTS Silver
Five Channel
Remote
1810641



Telis 1 RTS Pure
Single Channel
Remote
1810632



Telis 4 RTS Pure
Five Channel
Remote
1810633



Telis 1 RTS Patio
Single Channel
Remote
1810643



Telis 4 RTS Patio
Five Channel
Remote
1810645

DECORA



Decora 1 RTS
Wireless Wall
Switch
1810597



Decora 4 RTS
Wireless Wall
Switch
1810595



Decora 1 RTS
Wireless Wall
Switch
1810598



Decora 4 RTS
Wireless Wall
Switch
1810599

RTS Switches

Project:

Date:

Drawing #:

Scale: Not to Scale



EcoGreen
Solar Shades, LLC.

EcoGreen Solar Shades, LLC.

www.EcoGreenSolarShades.com • P: (877) 610-1555 F: (440) 233-1122

Sonesse™ 30 Power Accessories

TRANSFORMERS

PLUG-IN



Plug-In Wall Type

1 Motor	24 VDC 1.66A	1822209
---------	--------------	---------



Plug-In Floor Type

1 Motor	24 VDC 2.5A	1822116
---------	-------------	---------



Plug-In Table/Shelf Type

3 Motors	24 VDC 5A	1822118
----------	-----------	---------

6 Motors	24 VDC 10A	1822119
----------	------------	---------

9 Motors	24 VDC 15A	1822122
----------	------------	---------

12 Motors	24 VDC 20A	1822123
-----------	------------	---------

WIRED



Din Rail Mount

3 Motors	24 VDC 5A	9011994
----------	-----------	---------



Din Rail Mount

6 Motors	24 VDC 10A	9011995
----------	------------	---------



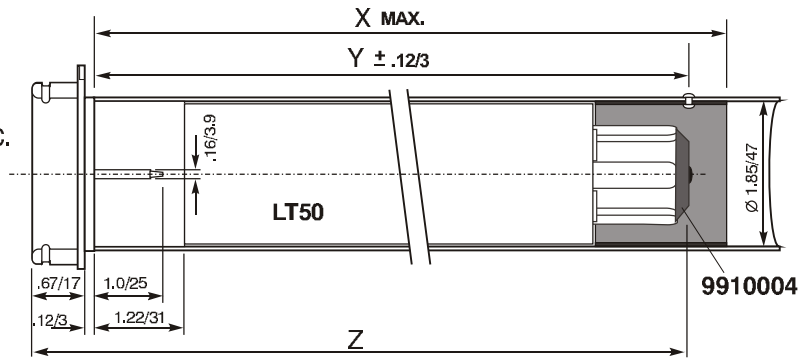
Din Rail Mount

12 Motors	24 VDC 20A	9014245
-----------	------------	---------

SONESSE 50 RANGE

Dimensional and Technical Specifications

All Sonesse 50 motors have system of protection IP 31
 Working temperature range - Normal use : 0 deg C to 60 deg C.
 Thermal time 4 minutes
 Power Supply tolerance - 108 - 132 V



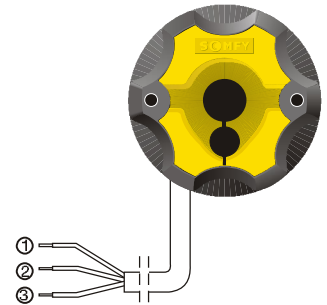
SONESSE 50 ILT AND RTS

	X in. / mm	Y in. / mm	Z in. / mm
504 SONESSE ILT & RTS	31.06/789	30.79/782	31.25/794

Electronic limit switch - 250 revs. Max
 Repeatability - +/- 3 deg

SONESSE 50 ILT AND RTS

WIRING COLOR CODE LT 50 RTS 120VAC		
①	White	Neutral
②	Black	Hot
③	Green	Ground

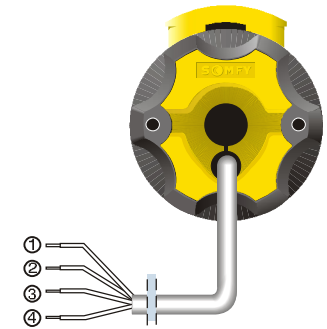


SONESSE 50 and PA

	X in. / mm	Y in. / mm	Z in. / mm
504 SONESSE and PA	28.31/719	28.00/711	28.46/723

Limit Switch Unit capacity - 29 revs.
 Repeatability - +/- 8 deg

WIRING COLOR CODE SONESSE 50 PA, ST, RH		
①	White	Neutral
②	Black	Dir 1
③	Red	Dir 2
④	Green	Ground



SONESSE 50 RH

	X in. / mm	Y in. / mm	Z in. / mm
504 SONESSE RH	28.31/719	28.00/711	28.35/720

Limit Switch Unit capacity - 46 revs.
 Repeatability - +/- 5 deg

SONESSE 50

MOTOR TYPE	NOMINAL TORQUE		SPEED (No load)		ELECTRICAL RATING			LIMIT SWITCH CAPACITY	NOISE LEVEL AT 3FT
	in. lb.	Nm	rpm	Volt	Hz	Ampere	Watt	# Rotations	dBA
SONESSE 50	35	4	32	120	60	0.95	110	See above	44



Sonesse 50 RTS Quiet Motor

Project:		Date:
Drawing #:		Scale: Not to Scale

EcoGreen Solar Shades, LLC.

www.EcoGreenSolarShades.com • P: (877) 610-1555 F:(440) 233-1122