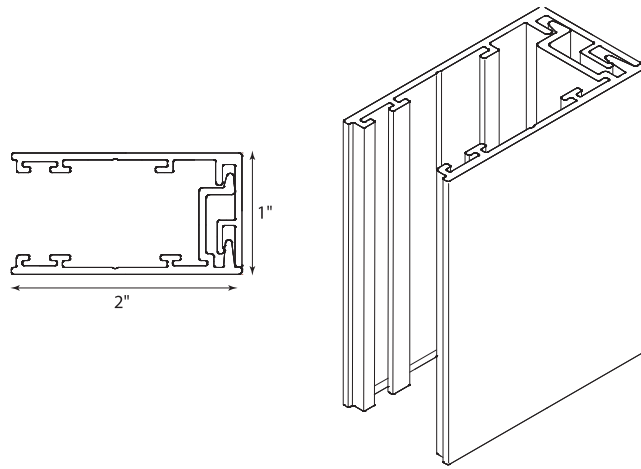
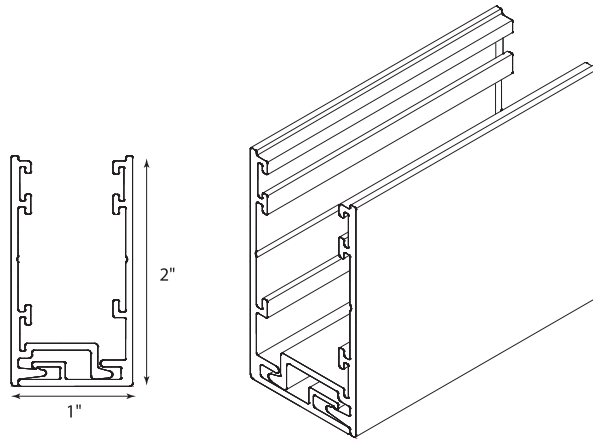


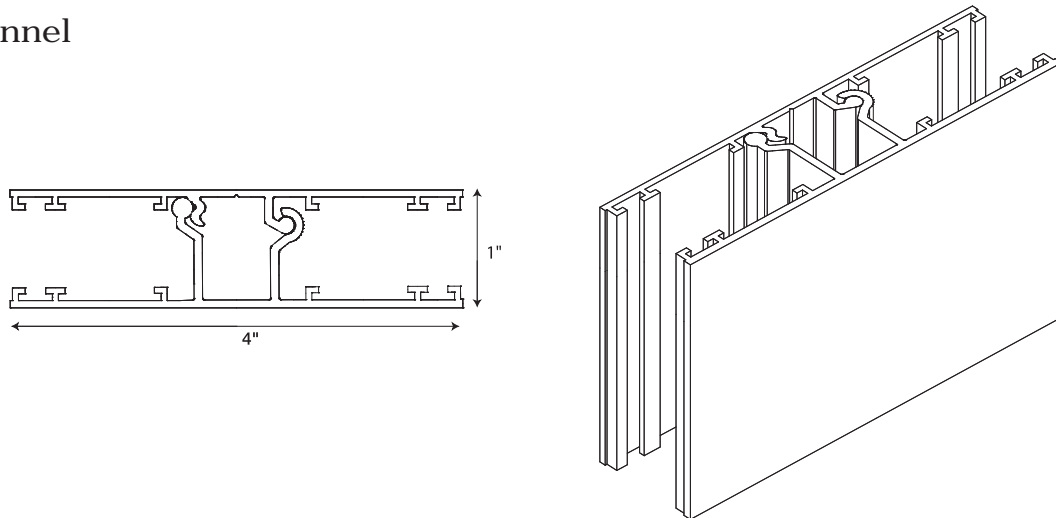
Side Channel



Sill Channel



Center Channel



- Side, sill and center channels are extruded aluminum with synthetic pile inserts to eliminate light leakage.
- Available in white, clear anodized or bronze.



<h2>Side & Sill Channels</h2>			
Project:		Date:	
Drawing #	ACC-1	Scale: Not to Scale	
EcoGreen Solar Shades, LLC.			
www.EcoGreenSolarShades.com • P: (877) 610-1555 F:(440) 233-1122			