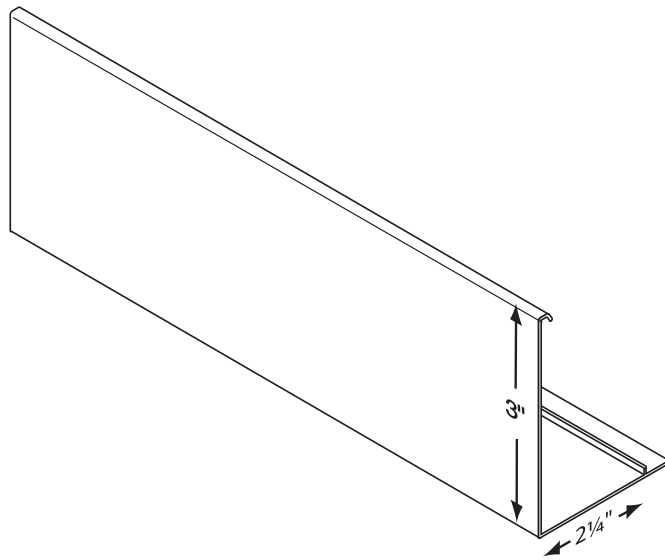
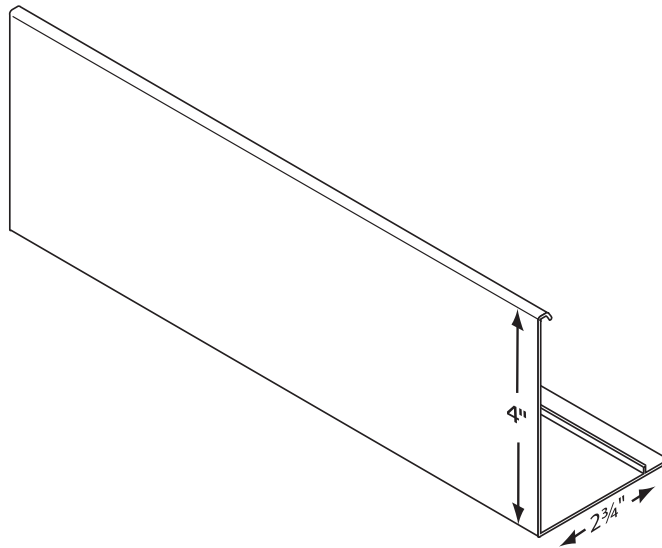


3" Fascia



4" Fascia



- 3" high with a 2-1/4" bottom lip and snaps onto a 3" x 3" fascia bracket.
- 4" high with a 2-3/4" bottom lip and snaps onto a 4" x 4" fascia bracket.
- Brackets are universal and painted to match the fascia panels.
- Optional color coordinated bracket end caps available for outside mount.
- Available in white, vanilla, clear anodized, bronze or black.



Manual Shade Fascia

Project:		Date:	
Drawing # MAS-12		Scale: Not to Scale	

EcoGreen Solar Shades, LLC.

www.EcoGreenSolarShades.com • P: (877) 610-1555 F:(440) 233-1122